

LED Night Lights



SL-8404



SL-8414

*Cutting edge technology made practical
High-intensity LEDs provide even, glare-free lighting
Indirect illumination – no LED “dots” or hot spots*

Applications:

- Patient room night light
- Bathroom or restroom night light
- Common area accent lighting
- Medical facilities
- Office buildings
- Condominiums and hotels
- High-end residences
- For indoor use/dry locations

Specifications

Construction:

- Special acrylic diffuser
- Die-formed electro-galvanized steel face plate
- Die-cast aluminum housing

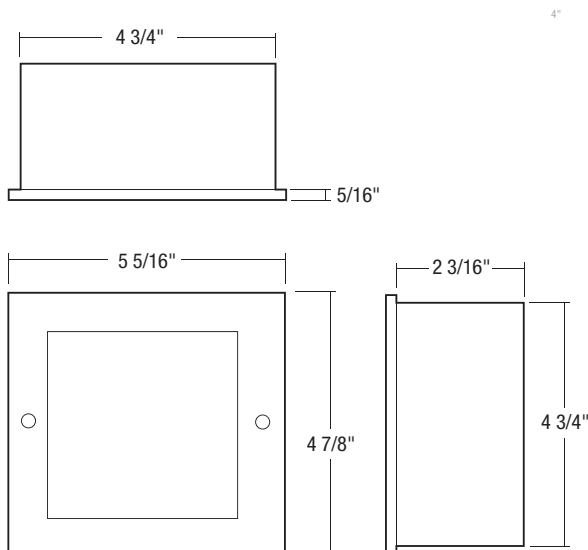
Finish:

- White powder coat is standard
- Optional black powder coat, silver powder coat or dark bronze powder coat
- Also available with stainless steel faceplate

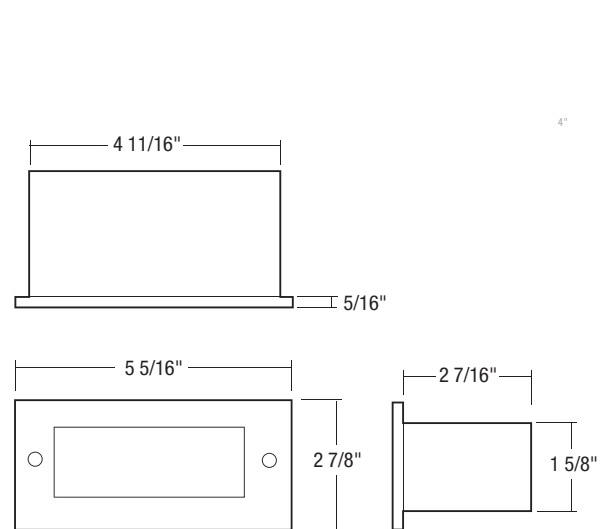
Illumination:

- Bright white LEDs, standard
- Optional blue, red, amber or red/amber LEDs
- SL-8404 uses approximately 2.5 watts
- SL-8414 uses approximately 1.25 watts
- 120-volt or 277-volt operation with built-in power supply

LED Night Lights



SL-8404

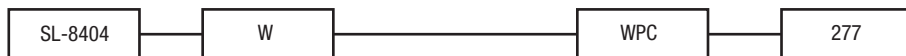


SL-8414

HOW TO ORDER

Please specify Model Number, Lamp Color, Finish and Voltage

Example: SL-8404-W-WPC-277 (SL-8404 with white LEDs, white powder coat finish, 120-volt operation)



Model	Lamping	Finish	Voltage
SL-8404	W = White LED	WPC = White Powder Coat (Standard)	120
SL-8414	R = Red LED	BPC = Black Powder Coat	277
	B = Blue LED	DBPC = Dark Bronze Powder Coat	
	A = Amber LED	Silver Powder Coat = SPC	
	R/A = Red Amber LED		



P.O.Box 9355, Laguna Beach, California 92652-7334
(949) 248-3125 FAX (949) 248-5468
www.lighttech.com